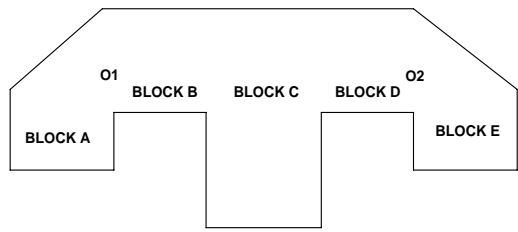
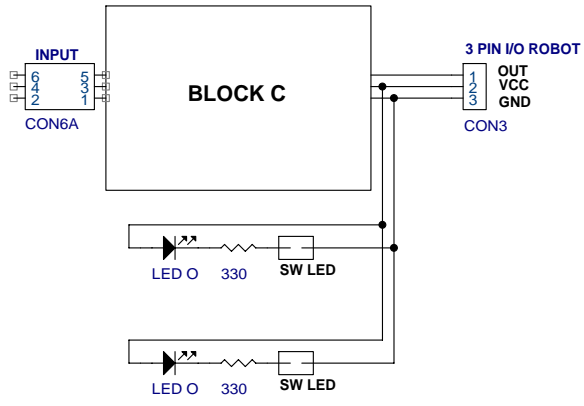
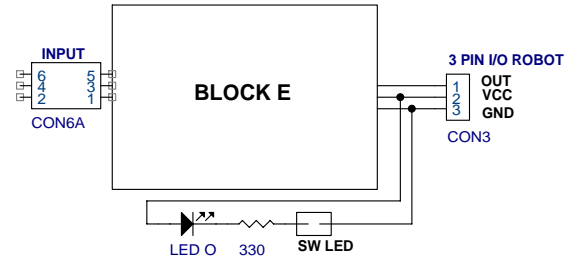
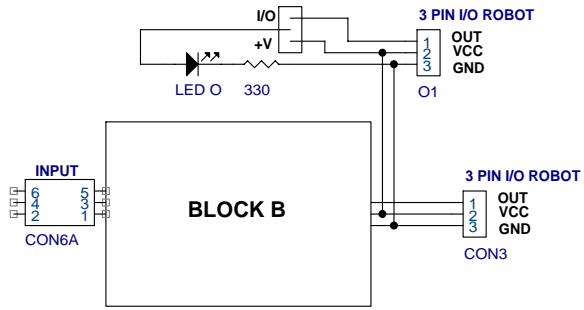
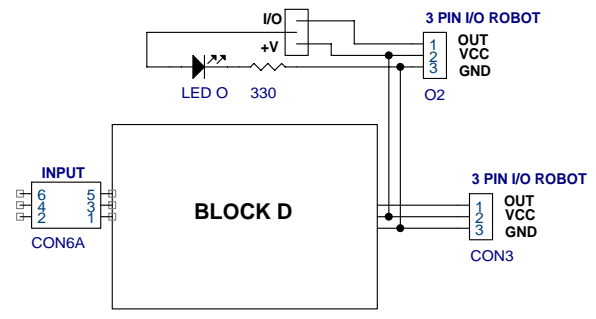
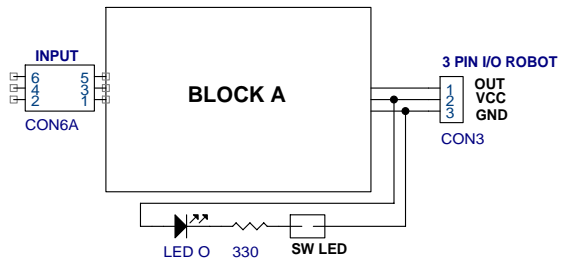
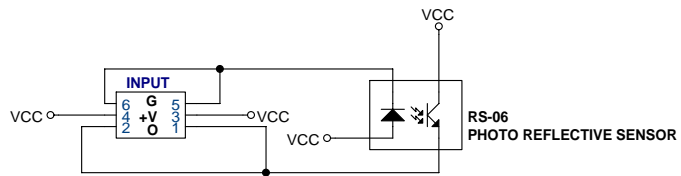


CIRCUIT BLOCK A,B,C,D,E

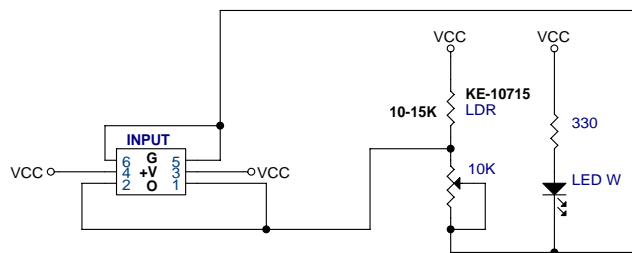
| | | |
|-------------------------------|--------------------------|--------------|
| Title | | |
| ETT CO.,LTD. (FILE R-SENSOR5) | | |
| Size | Document Number | Rev |
| A | R-SENSOR5 | 1 |
| Date: | Saturday, April 10, 2004 | Sheet 1 of 1 |
| 2 | | 1 |



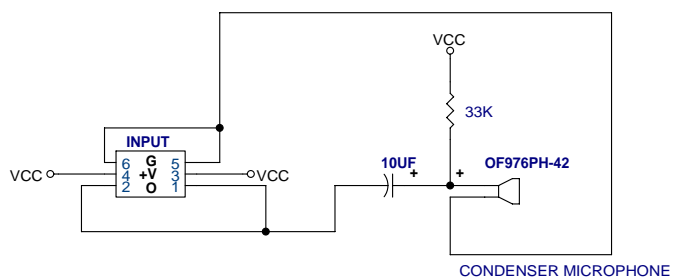
| | | |
|-------------------------------|---------------------------|--------------|
| Title | | |
| ETT CO.,LTD. (FILE R-SENSOR5) | | |
| Size | Document Number | Rev |
| A | R-SENSOR5 | 1 |
| Date: | Tuesday, January 09, 2007 | Sheet 2 of 3 |



R-REFLEX S5



R-LIGHT S5



R-SOUND S5

| | | |
|-------------------------------|---------------------------|--------------|
| Title | | |
| ETT CO.,LTD. (FILE R-SENSOR5) | | |
| Size | Document Number | Rev |
| A | R-SENSOR5 | 1 |
| Date: | Tuesday, January 09, 2007 | Sheet 2 of 3 |

